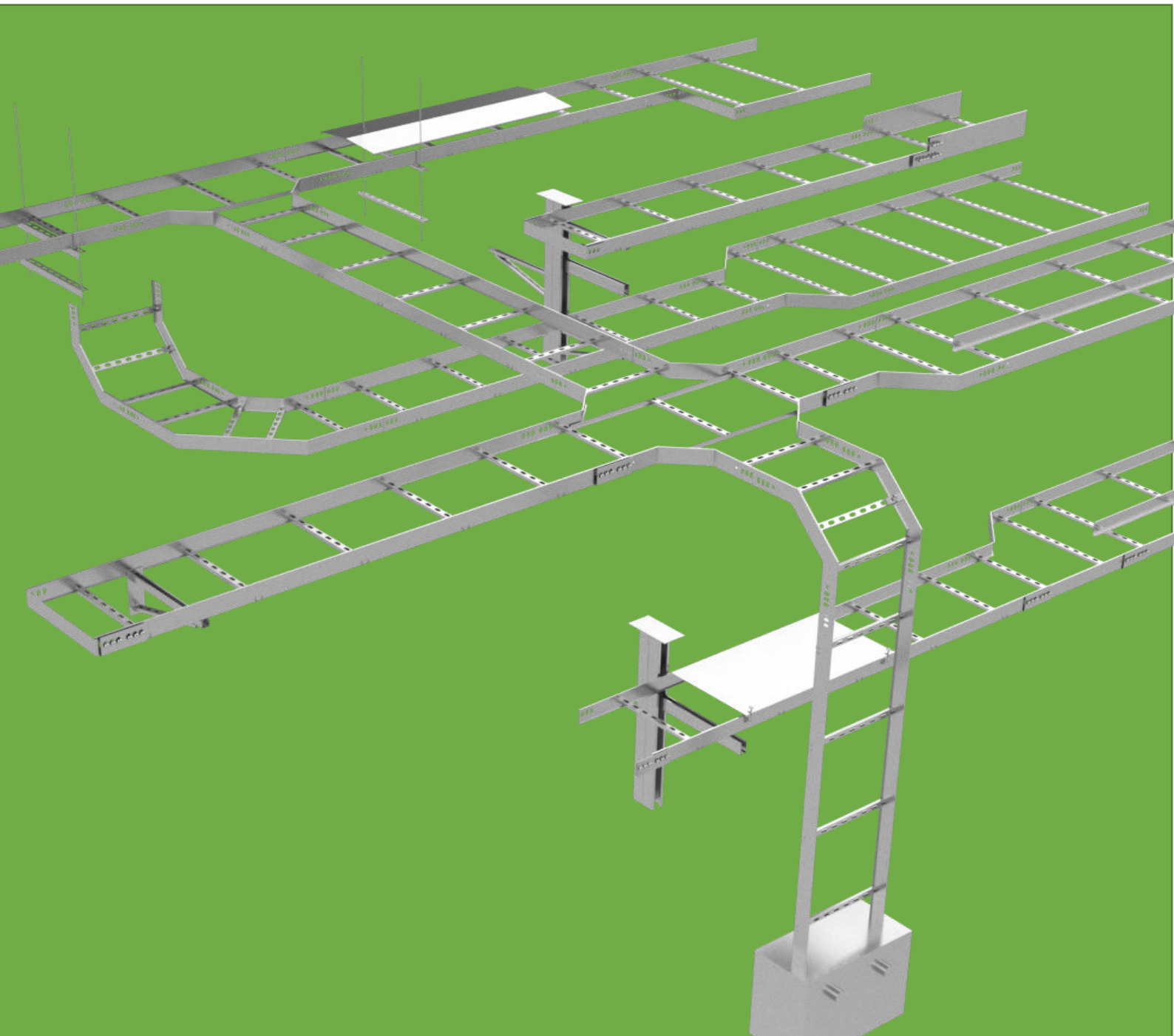


*Cable Ladder Catalogue*





### QK Cable Ladder

QINKAI Cable Ladder is an economical wire management system designed to support and protect electrical wires and cables. The QINKAI Cable Ladder is permitted in a variety of indoor and outdoor applications.

Standard finish of QINKAI Cable Ladder as below, customize available:

- ✓ **G--- Pre-galvanized steel**
- ✓ **H----Hot Dip Galvanized**
- ✓ **S4---Stainless Steel SS304**
- ✓ **S6---Stainless Steel SS306**
- ✓ **P----Powder Coated**
- ✓ **M----Mill/Plain Steel**
- ✓ **A----Aluminum**
- ✓ **FRP—Fiberglass Reinforced Plastics/GRP**

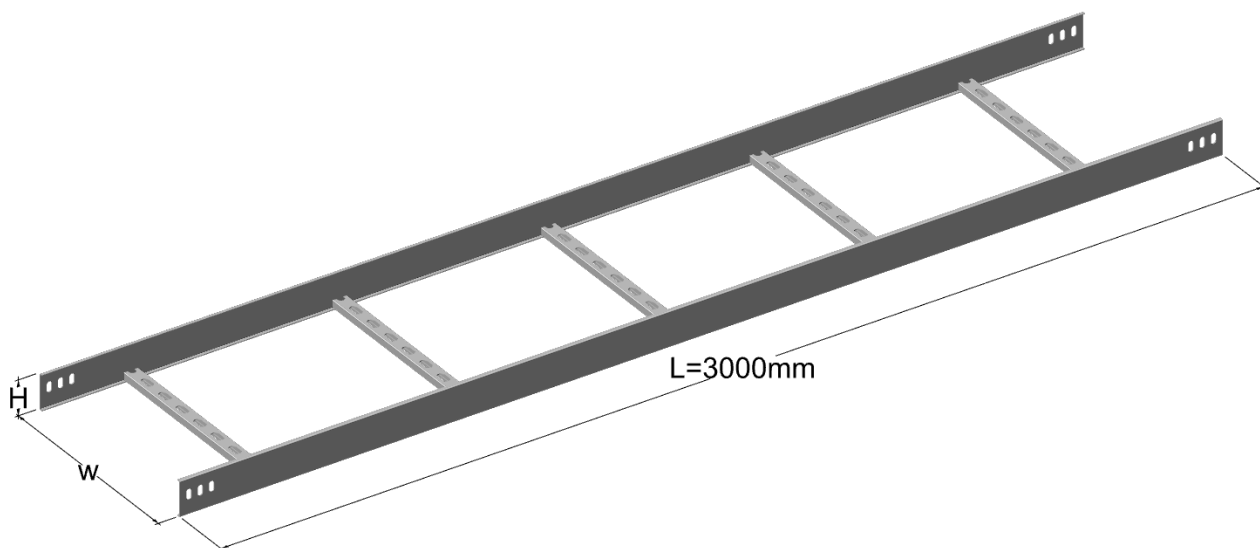
QINKAI Cable Ladder Advantages:

1. **From light to heavy load**
2. **Good lateral stability**
3. **No nasty sharp edges**
4. **Open profiles provide better corrosion protection**
5. **Reduced weight without losing strength**

Suffix	Finish
G	Pre-Galvanized/PG/GI
H	Hot Dip Galvanized/HDG
S4	Stainless Steel SS304
S6	Stainless Steel SS306

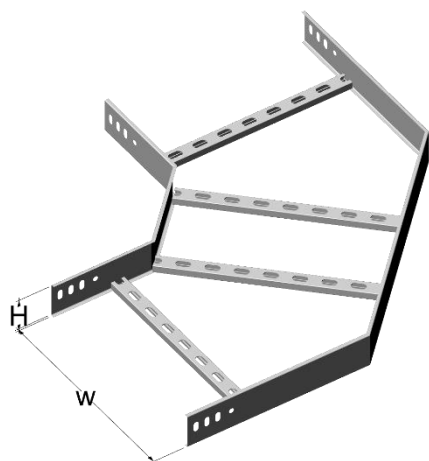
Suffix	Finish
FRP	Fiberglass Reinforced Plastics/GRP
M	Mill/Plain Steel
P	Powder Coated
A	Aluminum

## QK Cable Ladder Series



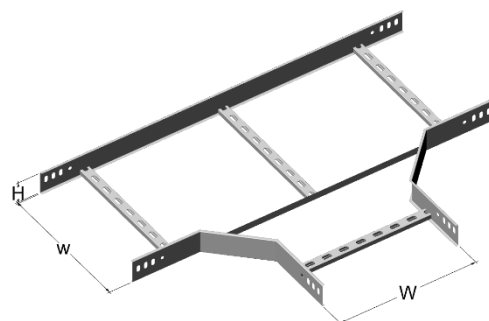
### QK CL Cable Ladder

Code	W(mm)	H(mm)	L(mm)
QK CL	50~1000	25~300	3000



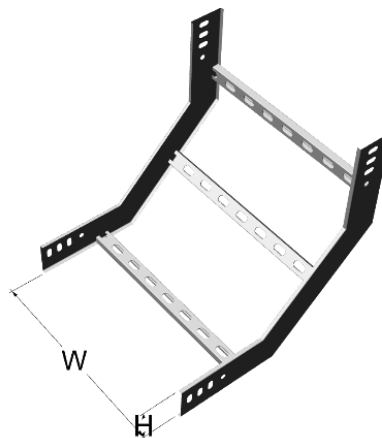
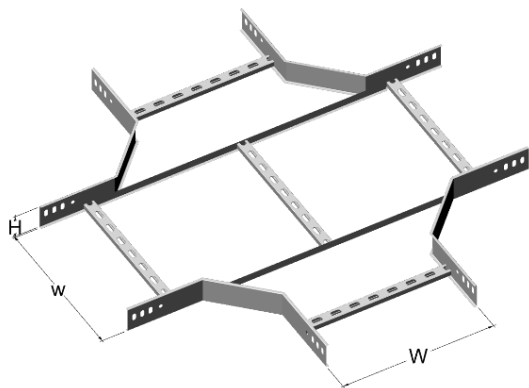
### QK E90 Elbow 90°

Code	W(mm)	H(mm)
QK E90	50~1000	25~300



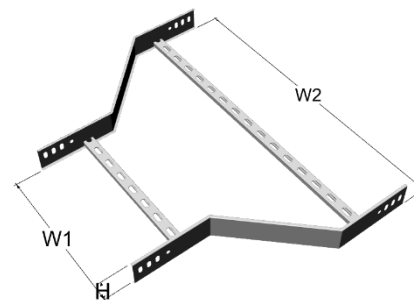
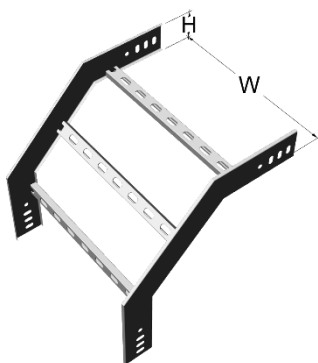
### QK T Tee

Code	W(mm)	H(mm)
QK T	50~1000	25~300



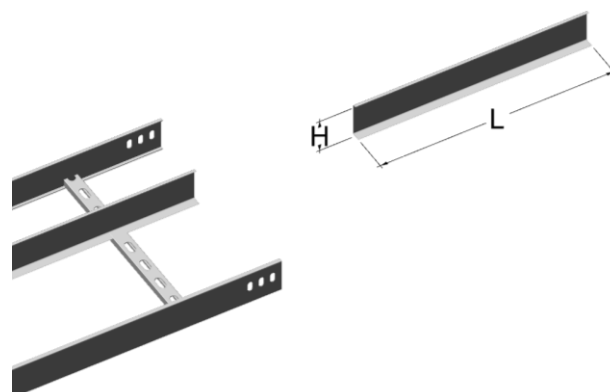
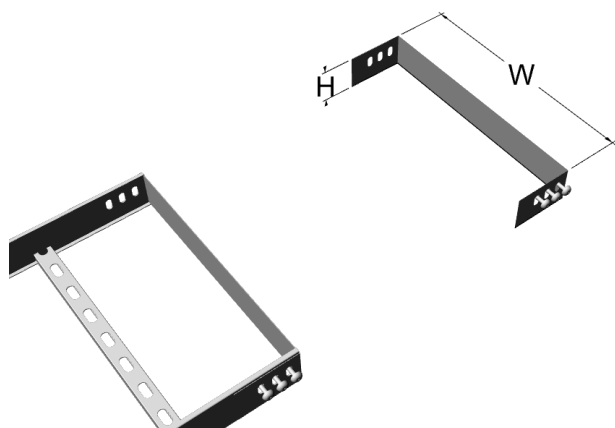
QK C Cross		
Code	W(mm)	H(mm)
QK C	150~600	100

QK IR Inside Riser		
Code	W(mm)	H(mm)
QK IR	150~600	100



QK OR Outside Riser		
Code	W(mm)	H(mm)
QK OR	50~1000	25~300

QK MR Middle Reducer			
Code	W1(mm)	W2(mm)	H(mm)
QK MR	50~1000	50~1000	25~300

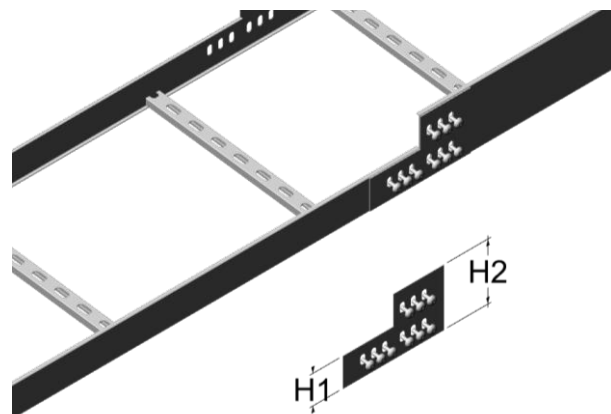
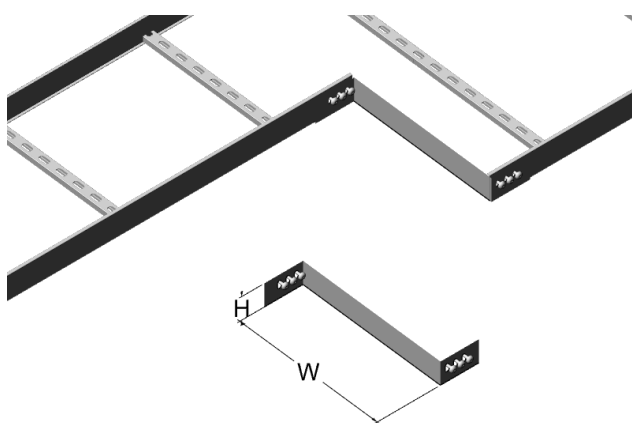


**QK BE Blind End**

Code	W(mm)	H(mm)
QK BE	50~1000	25~300

**QK D Divider**

Code	W(mm)	H(mm)
QK D	50~1000	25~300

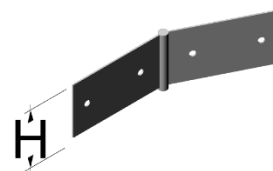
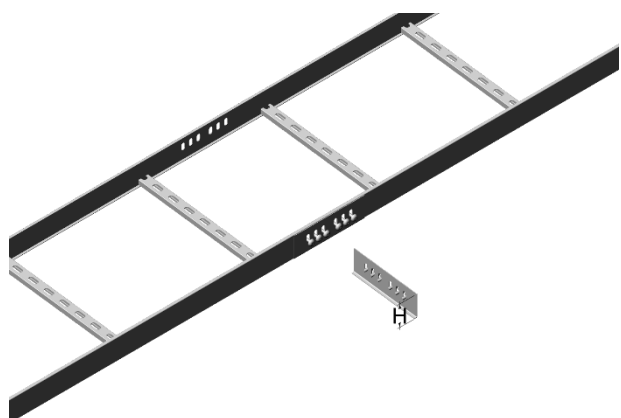


**QK WAC Width Adjust Coupler**

Code	W(mm)	H(mm)
QK WAC	50~1000	25~300

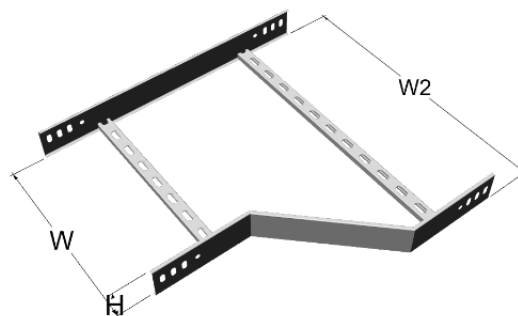
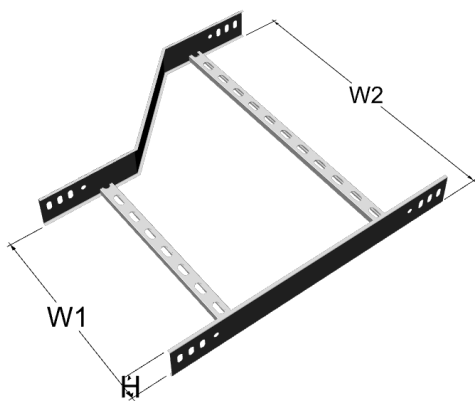
**QK HAC Height Adjust Coupler**

Code	H1(mm)	H2(mm)
QK HAC	50~130	150~65



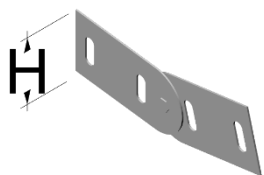
QK SC		Straight Coupler	
Code		H(mm)	
QK SC		50~150	

QK OAC		Horizontal Adjust Coupler	
Code		H1(mm)	
QK OAC		50~150	



QK LR		Left Hand Reducer		
Code	W1(mm)	W2(mm)	H(mm)	
QK LR	50~1000	50~1000	25~300	

QK RR		Right Hand Reducer		
Code	W1(mm)	W2(mm)	H(mm)	
QK RR	50~1000	50~1000	25~300	



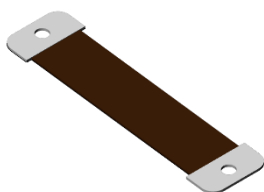
**QK VAC Vertical Adjust Coupler**

Code	H(mm)
QK VAC	50~150



**QK HDB Hold Down Bracket**

Code	H(mm)
QK HDB	25~300



**QK BJ Bonding Jumper**

Code	QK BJ
------	-------



**QK HDC Hold Down Clamp**

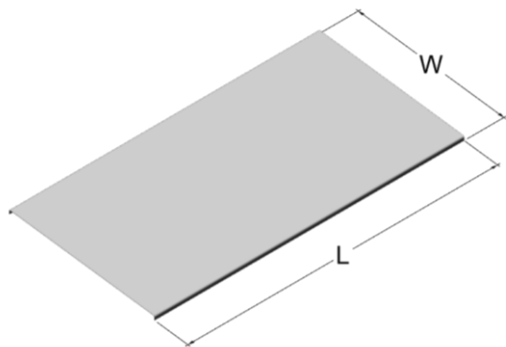
Code	QK HDC
------	--------



**QK CP Corner Plate**

Code	QK CP
------	-------

## QK Cover Series



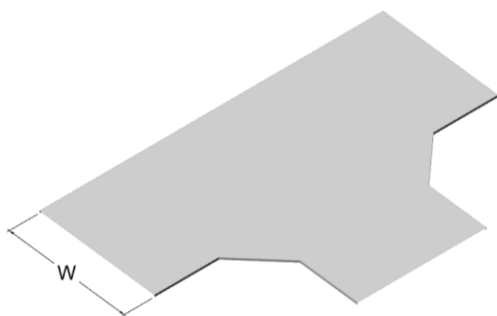
### QK FSC Flat Cover

Code	W(mm)	H(mm)	H(mm)
QK FSC	50~1000	10	3000



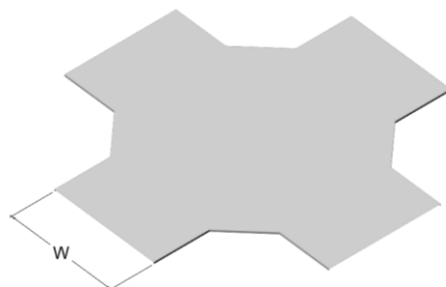
### QK ENC Elbow 90° Cover

Code	W(mm)
QK ENC	50~1000



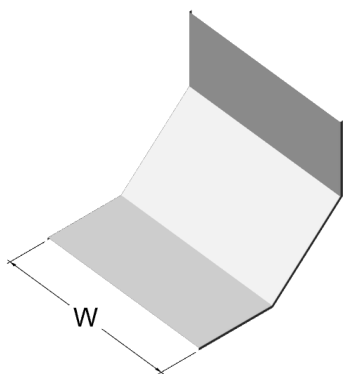
### QK TC Tee Cover

Code	W(mm)
QK TC	50~1000



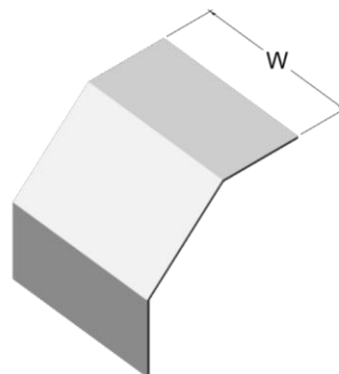
### QK CC Cross Cover

Code	W(mm)
QK CC	50~1000



### QK IRC Inside Riser Cover

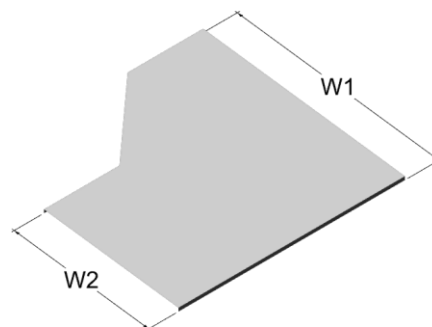
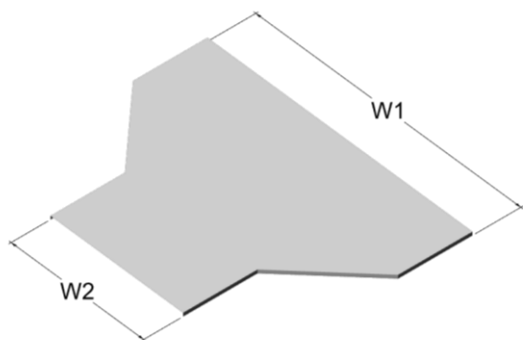
Code	W(mm)
QK IRC	50~1000



### QK ORC Outside Riser Cover

Code	W(mm)
QK ORC	50~1000



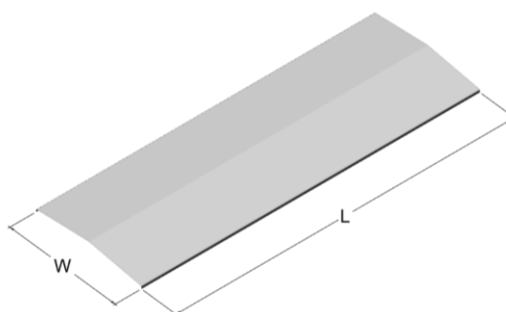
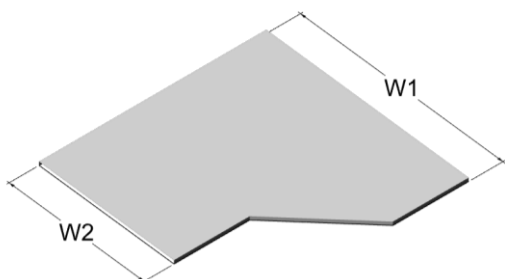


**QK MRC Middle Reducer Cover**

Code	W1(mm)	W2(mm)
QK MRC	50~1000	50~1000

**QK LRC Left Hand Reducer Cover**

Code	W1(mm)	W2(mm)
QK LRC	50~1000	50~1000



**QK RRC Right Hand Reducer Cover**

Code	W1(mm)	W2(mm)
QK RRC	50~1000	50~1000

**QK WPC Waterproof Cover**

Code	W(mm)	L(mm)
QK WPC	50~1000	2000