

Cable Trunking





QINKAI Cable Trunking

QINKAI Cable Trunking is the original metal framing system featuring a unique weldless connection. The QINKAI Cable Trunking system eliminates welding and drilling, and is easily adjustable and reusable for infinite configurations.

Standard finish of QINKAI Cable Trunking as below, customize available:

- ✓ **G--- Pre-galvanized steel**
- ✓ **H----Hot Dip Galvanized**
- ✓ **S4---Stainless Steel SS304**
- ✓ **S6---Stainless Steel SS306**
- ✓ **P----Powder Coated**
- ✓ **M----Mill/Plain Steel**
- ✓ **A----Aluminum**
- ✓ **FRP—Fiberglass Reinforced Plastics/GRP**

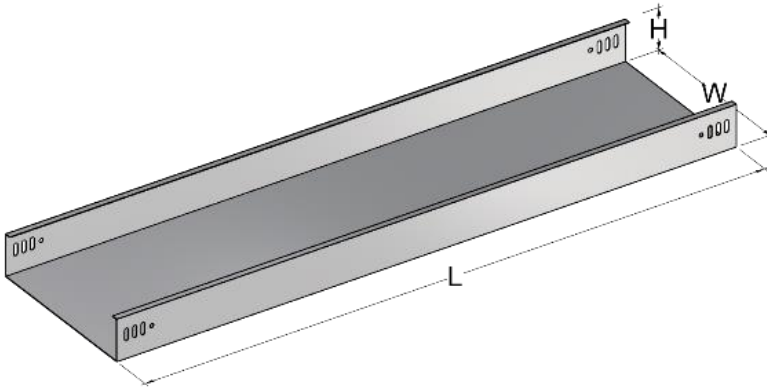
QINKAI Cable Trunking Advantages:

1. **Corrosion Resistance**
2. **Simple Usage**
3. **No Welding**
4. **No Drilling**
5. **Durability**

Suffix	Finish
G	Pre-Galvanized/PG/GI
H	Hot Dip Galvanized/HDG
S4	Stainless Steel SS304
S6	Stainless Steel SS306

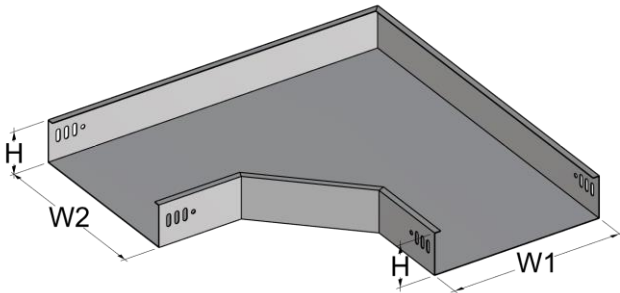
Suffix	Finish
FRP	Fiberglass Reinforced Plastics/GRP
M	Mill/Plain Steel
P	Powder Coated
A	Aluminum

QK Cable Trunking Series



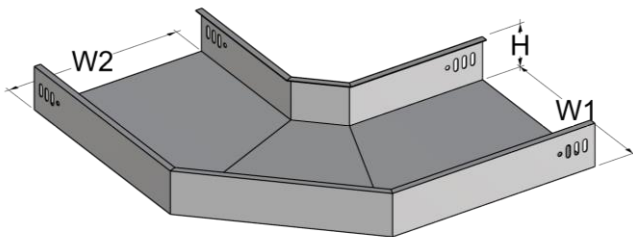
QK Cable Trunking

Length (L)	1000~6000mm
Width (W)	50~1000mm
Height (H)	25~300mm
Thickness (T)	0.6~2.5mm



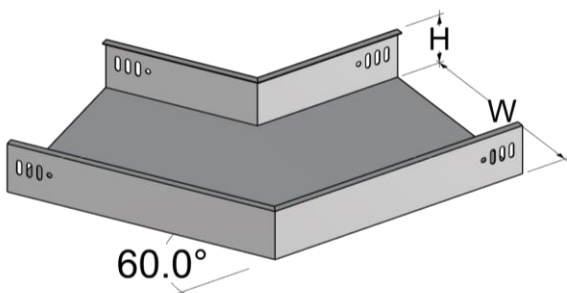
QK-E1 Elbow 90°

Width (W)	50~1000mm
Height (H)	25~300mm
Thickness (T)	0.6~2.5mm



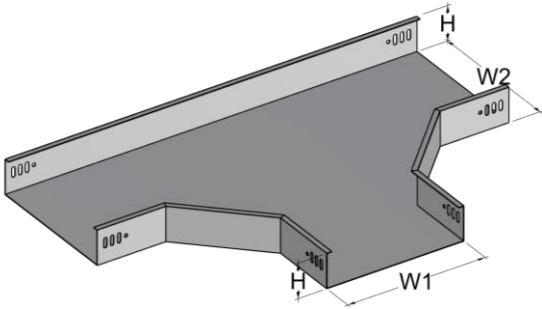
QK-E90 Elbow 90°

Width (W)	50~1000mm
Height (H)	25~300mm
Thickness (T)	0.6~2.5mm



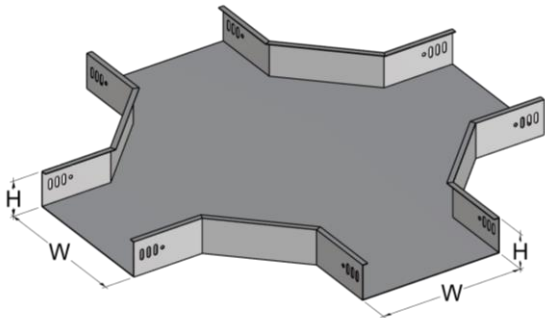
QK-E60 Elbow 60°

Width (W)	50~1000mm
Height (H)	25~300mm
Thickness (T)	0.6~2.5mm



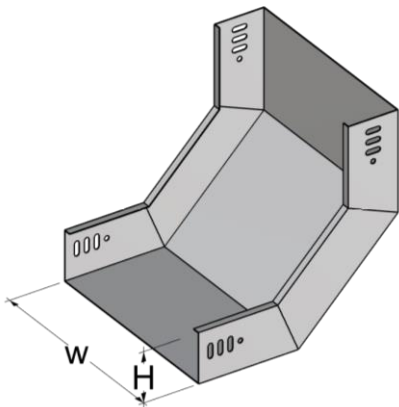
QK-T Tee

Width (W)	50~1000mm
Height (H)	25~300mm
Thickness (T)	0.6~2.5mm



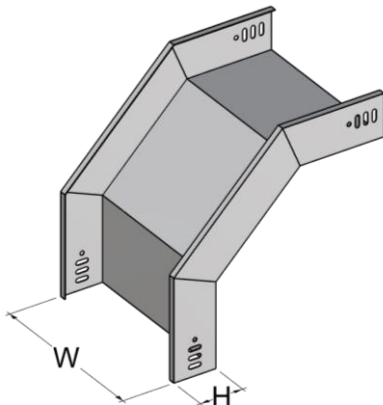
QK-C Cross

Width (W)	50~1000mm
Height (H)	25~300mm
Thickness (T)	0.6~2.5mm



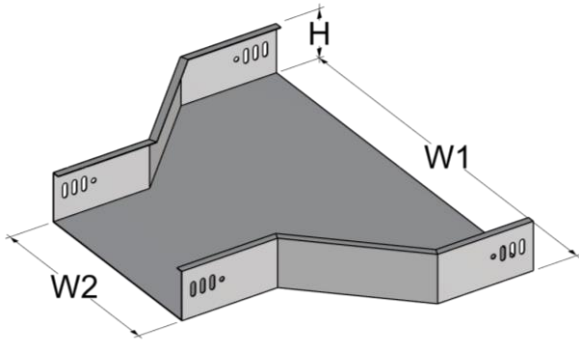
QK-IR Inside Riser

Width (W)	50~1000mm
Height (H)	25~300mm
Thickness (T)	0.6~2.5mm



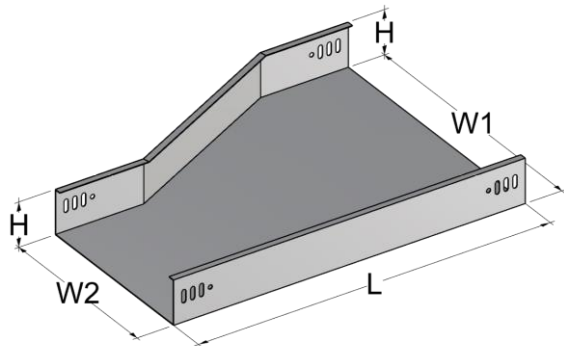
QK-OR Outside Riser

Width (W)	50~1000mm
Height (H)	25~300mm
Thickness (T)	0.6~2.5mm



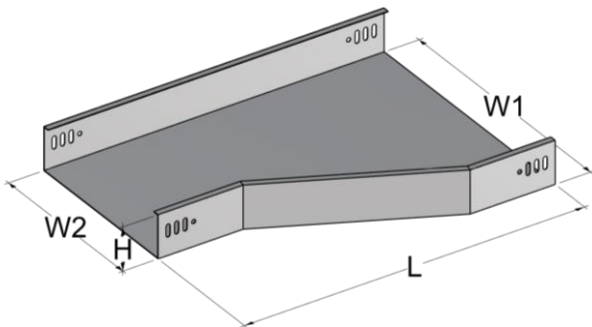
QK-MR Middle Riser

Width (W1)	50~1000mm
Width (W2)	50~1000mm
Height (H)	25~300mm
Thickness (T)	0.6~2.5mm



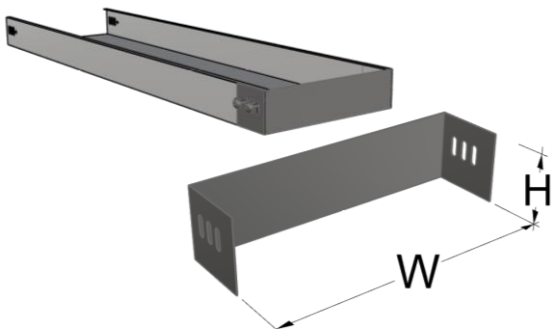
QK-LR Left Hand Reducer

Width (W1)	50~1000mm
Width (W2)	50~1000mm
Height (H)	25~300mm
Thickness (T)	0.6~2.5mm



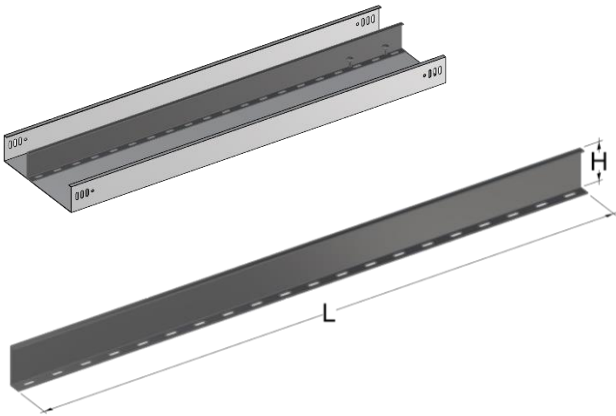
QK-RR Right Hand Reducer

Width (W1)	50~1000mm
Width (W2)	50~1000mm
Height (H)	25~300mm
Thickness (T)	0.6~2.5mm



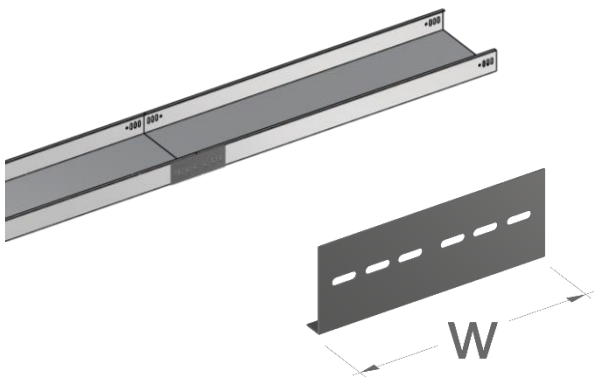
QK-BE Blind End

Width (W)	50~1000mm
Height (H)	25~300mm
Thickness (T)	0.6~2.5mm



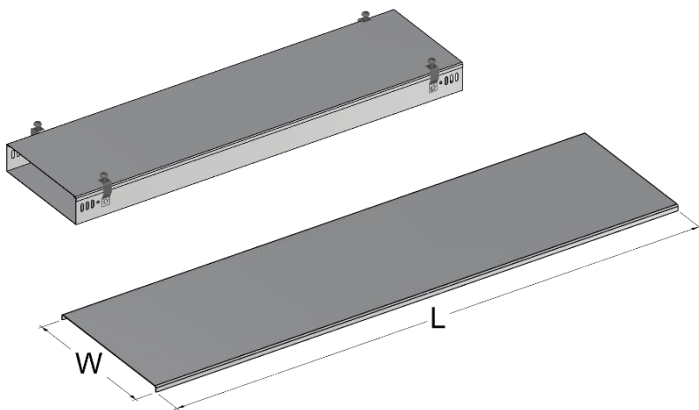
QK-D Divider

Width (W)	50~1000mm
Length (H)	2000~6000mm
Thickness (T)	0.6~2.5mm



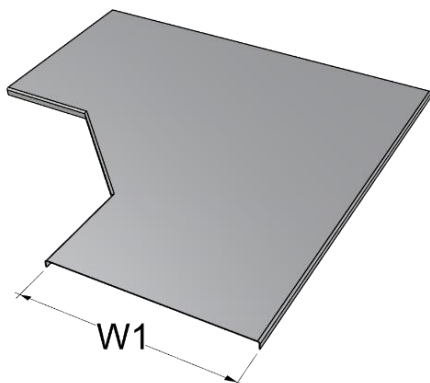
QK-SC Straight Coupler

Width (W)	50~1000mm
Thickness (T)	0.6~2.5mm



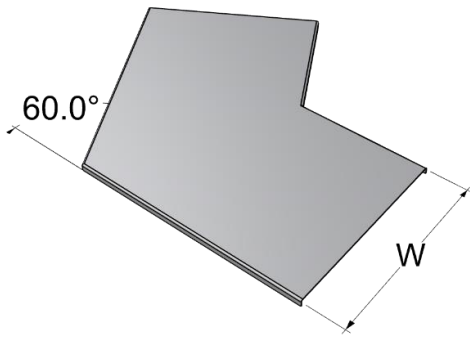
QK-FC Flat Cover

Width (W)	50~1000mm
Length (L)	2000~6000mm
Thickness (T)	0.6~2.5mm



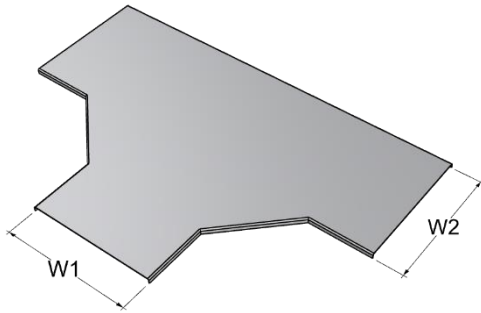
QK-EC Elbow 90° Cover

Width (W)	50~1000mm
Thickness (T)	0.6~2.5mm



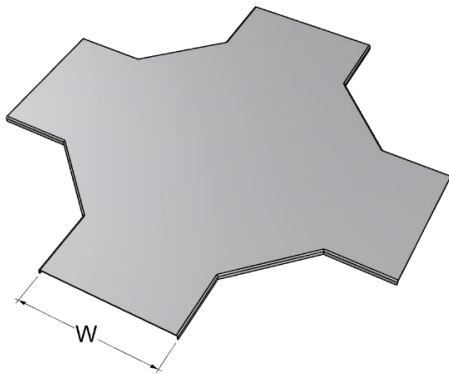
QK-EC Elbow 60° Cover

Width (W)	50~1000mm
Thickness (T)	0.6~2.5mm



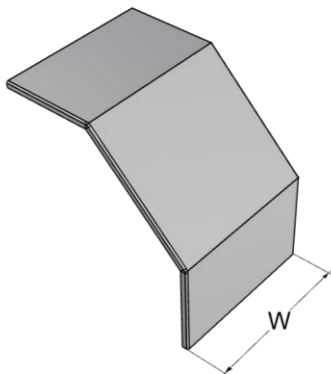
QK-EC Tee Cover

Width (W)	50~1000mm
Thickness (T)	0.6~2.5mm



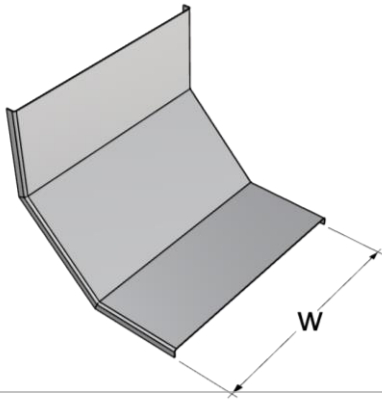
QK-EC Cross Cover

Width (W)	50~1000mm
Thickness (T)	0.6~2.5mm



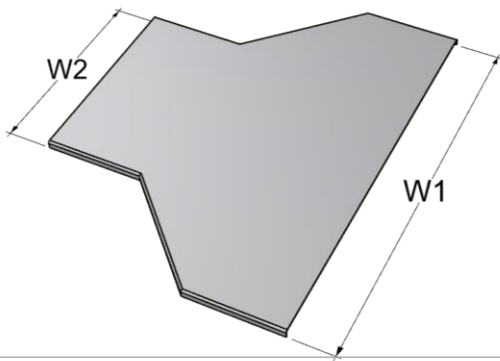
QK-EC Outside Riser Cover

Width (W)	50~1000mm
Thickness (T)	0.6~2.5mm



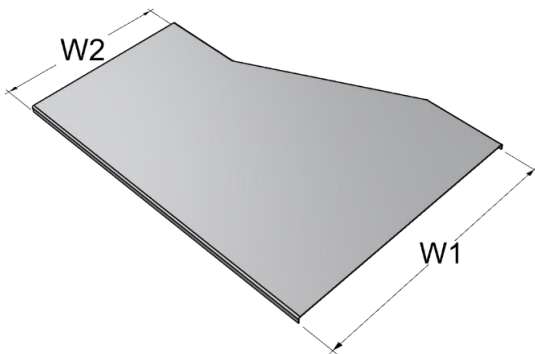
QK-EC Inside Riser Cover

Width (W)	50~1000mm
Thickness (T)	0.6~2.5mm



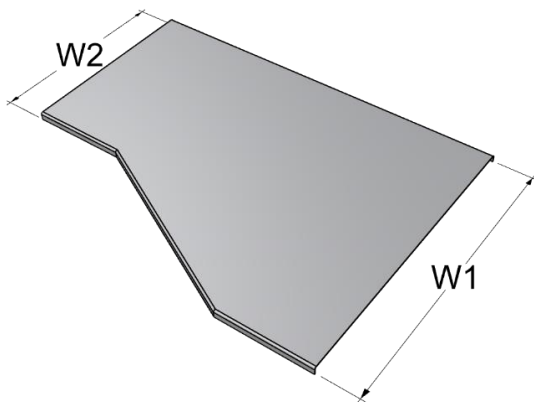
QK-EC Middle Reducer Cover

Width (W1)	50~1000mm
Width (W2)	50~1000mm
Thickness (T)	0.6~2.5mm



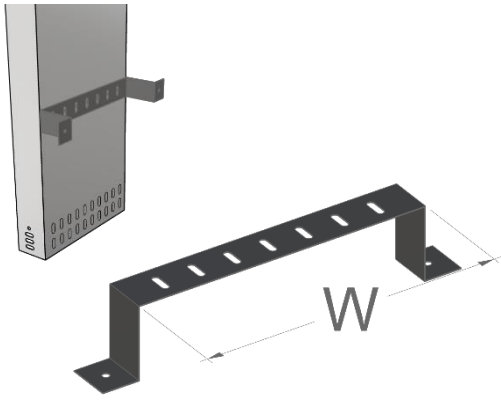
QK Left Hand Reducer Cover

Width (W1)	50~1000mm
Width (W2)	50~1000mm
Thickness (T)	0.6~2.5mm



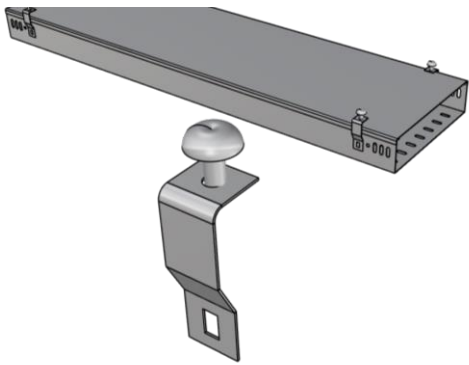
QK Right Hand Reducer Cover

Width (W1)	50~1000mm
Width (W2)	50~1000mm
Thickness (T)	0.6~2.5mm



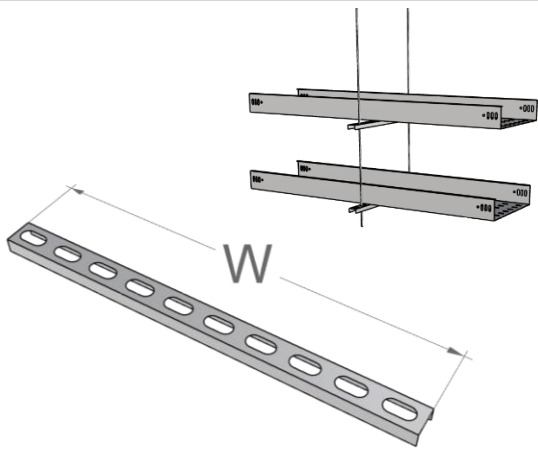
QK Under Floor Stand

Width (W1)	50~1000mm
Width (W2)	50~1000mm
Thickness (T)	0.6~2.5mm



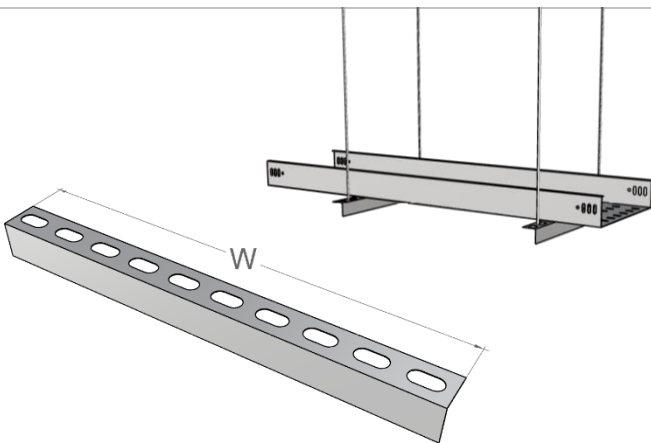
QK Cover Clamp

Code	QK CC
------	-------



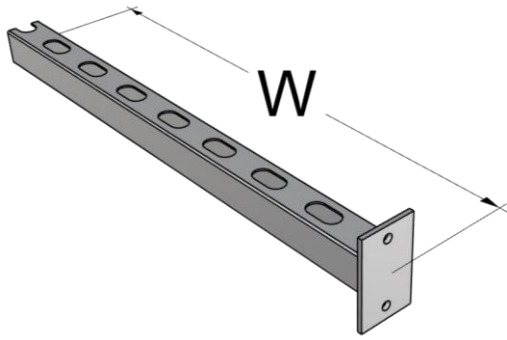
QK Straight Bracket

Width (W1)	50~1000mm
Width (W2)	50~1000mm
Thickness (T)	0.6~2.5mm



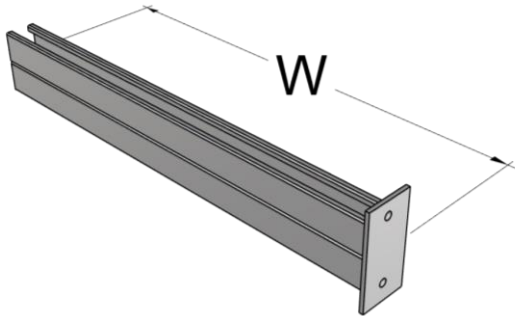
QK Angle Bar Bracket

Width (W1)	50~1000mm
Width (W2)	50~1000mm
Thickness (T)	0.6~2.5mm



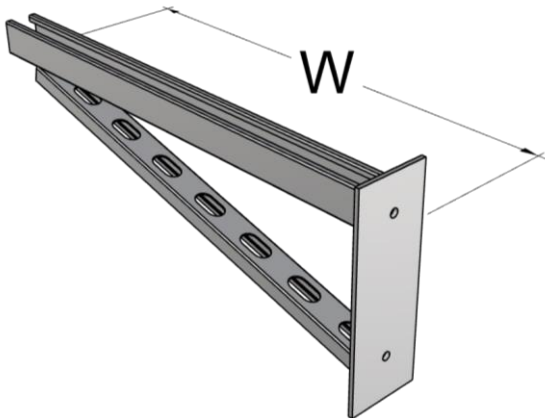
QK Wall Bracket

Width (W1)	50~1000mm
Width (W2)	50~1000mm
Thickness (T)	0.6~2.5mm



QK Strengthening Bracket

Width (W1)	50~1000mm
Width (W2)	50~1000mm
Thickness (T)	1.5~2.5mm



QK Strengthen Bracket

Width (W1)	50~1000mm
Width (W2)	50~1000mm
Thickness (T)	1.5~2.5mm



QK Ceiling Bracket

Width (W1)	50~1000mm
Width (W2)	50~1000mm
Thickness (T)	1.5~2.5mm



QK Strengthening Ceiling Bracket

Width (W1)	50~1000mm
Width (W2)	50~1000mm
Thickness (T)	1.5~2.5mm