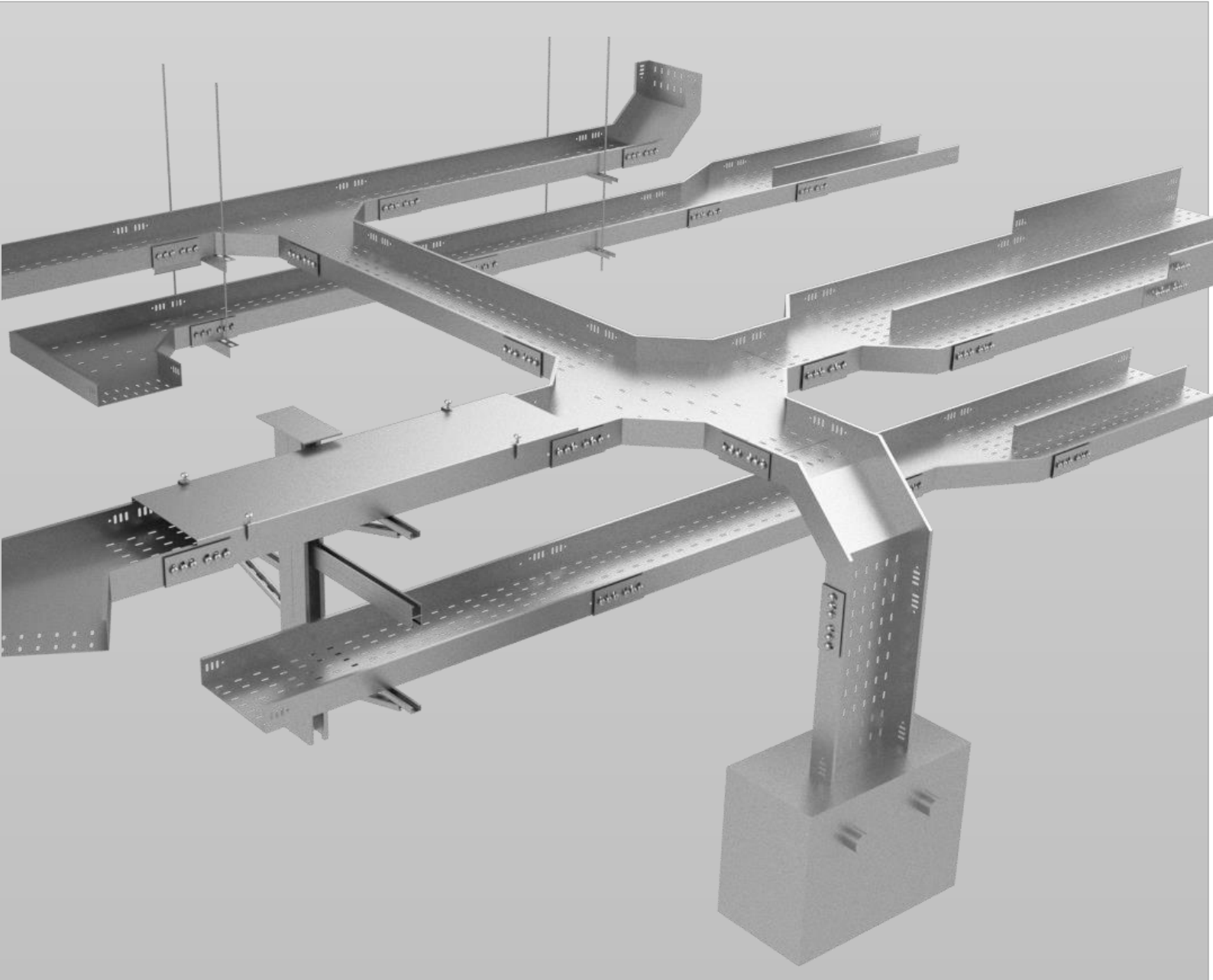
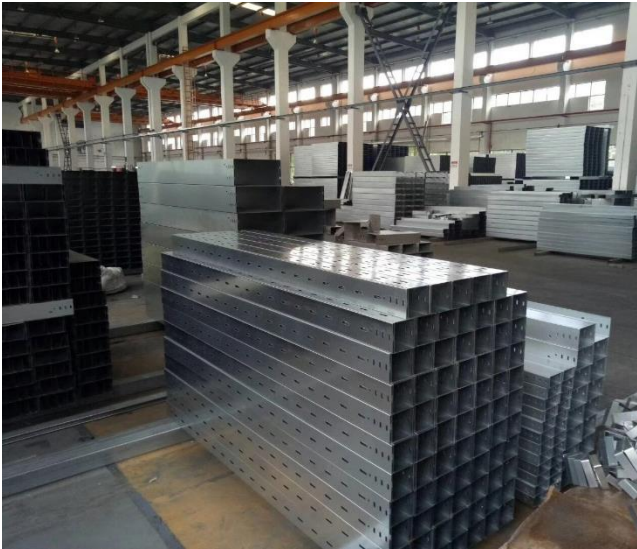


*Perforated Cable Tray Catalogue*





**QINKAI Perforated Cable Tray**

QINKAI Perforated Cable Tray is the original metal framing system featuring a unique weldless connection. The QINKAI Perforated Cable Tray system eliminates welding and drilling, and is easily adjustable and reusable for infinite configurations.

Standard finish of QINKAI Strut Channel as below, customize available:

- ✓ G--- Pre-galvanized steel
- ✓ H----Hot Dip Galvanized
- ✓ S4---Stainless Steel SS304
- ✓ S6---Stainless Steel SS306
- ✓ P----Powder Coated
- ✓ M----Mill/Plain Steel
- ✓ A----Aluminum
- ✓ FRP—Fiberglass Reinforced Plastics/GRP

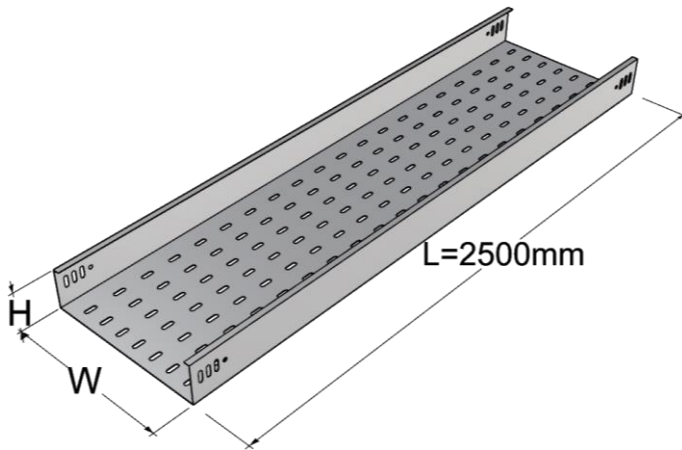
QINKAI Perforated Cable Tray Advantages:

1. Corrosion Resistance
2. Simple Usage
3. No Welding
4. No Drilling
5. Durability

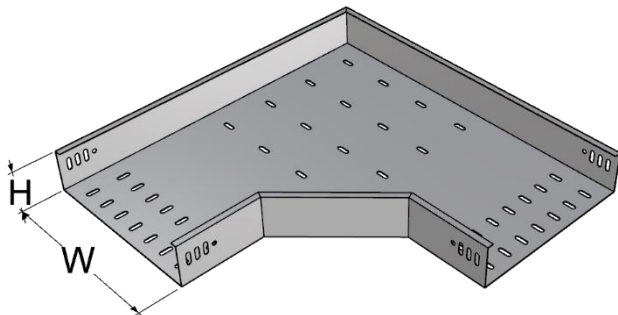
Suffix	Finish
G	Pre-Galvanized/PG/GI
H	Hot Dip Galvanized/HDG
S4	Stainless Steel SS304
S6	Stainless Steel SS306

Suffix	Finish
FRP	Fiberglass Reinforced Plastics/GRP
M	Mill/Plain Steel
P	Powder Coated
A	Aluminum

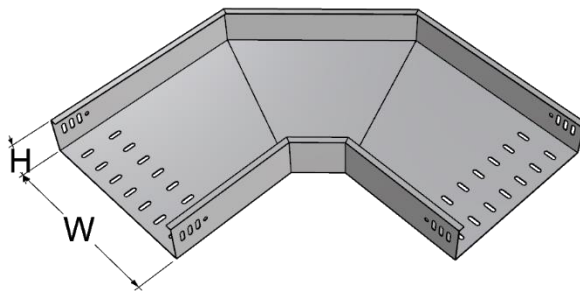
## QINKAI Perforated Cable Tray Series



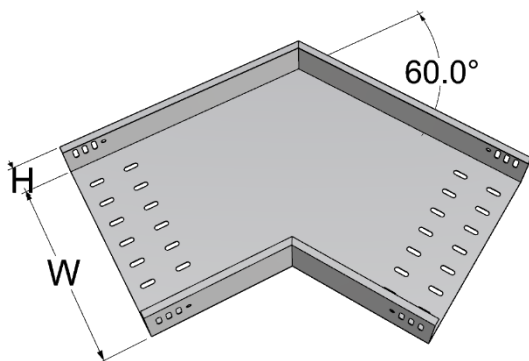
Cable Tray	
Length (L)	1000~6000mm
Width (W)	50~1000mm
Height (H)	25~300mm
Thickness (T)	0.6~2.5mm



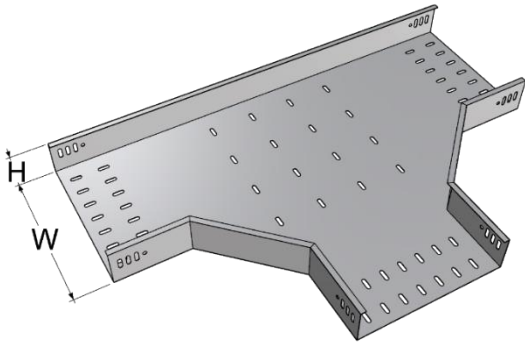
E1 Elbow 90°	
Width (W)	50~1000mm
Height (H)	25~300mm
Thickness (T)	0.6~2.5mm



E90 Elbow 90°	
Width (W)	50~1000mm
Height (H)	25~300mm
Thickness (T)	0.6~2.5mm

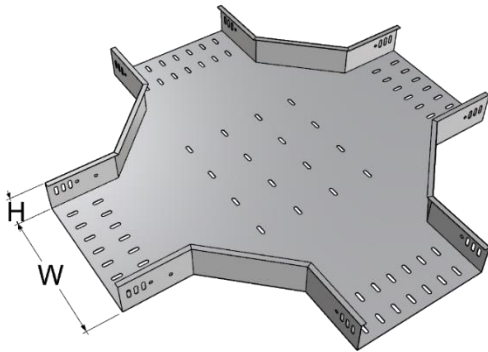


E60 Elbow 60°	
Width (W)	50~1000mm
Height (H)	25~300mm
Thickness (T)	0.6~2.5mm



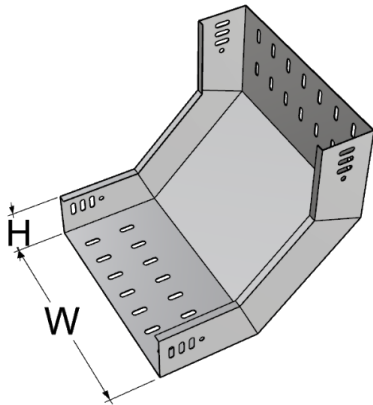
### QK-T Tee

Width (W)	50~1000mm
Height (H)	25~300mm
Thickness (T)	0.6~2.5mm



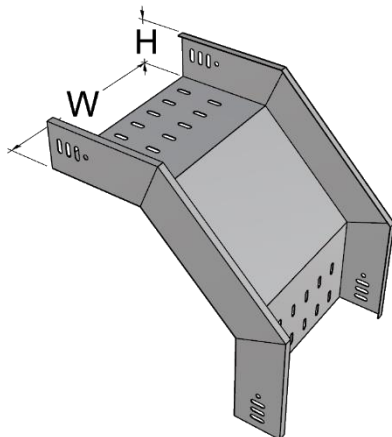
### QK-C Cross

Width (W)	50~1000mm
Height (H)	25~300mm
Thickness (T)	0.6~2.5mm



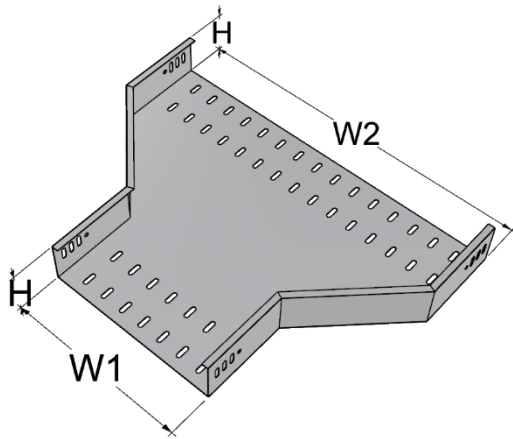
### QK-IR Inside Riser

Width (W)	50~1000mm
Height (H)	25~300mm
Thickness (T)	0.6~2.5mm



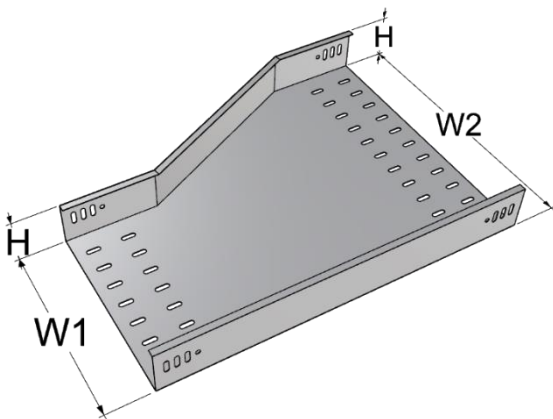
### QK-OR Outside Riser

Width (W)	50~1000mm
Height (H)	25~300mm
Thickness (T)	0.6~2.5mm



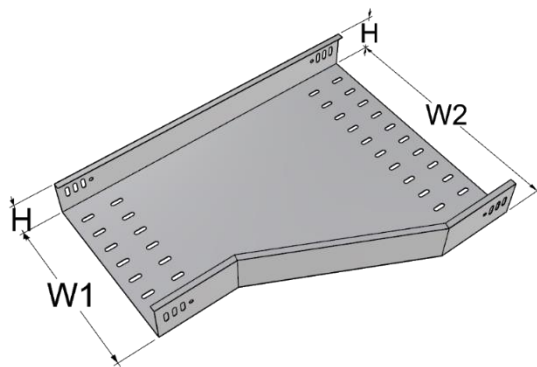
### MR Middle Riser

Width (W1)	50~1000mm
Width (W2)	50~1000mm
Height (H)	25~300mm
Thickness (T)	0.6~2.5mm



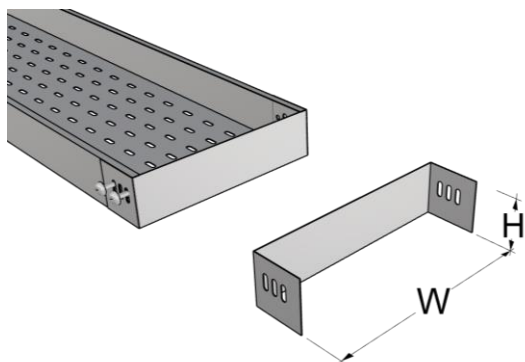
### Left Hand Reducer

Width (W1)	50~1000mm
Width (W2)	50~1000mm
Height (H)	25~300mm
Thickness (T)	0.6~2.5mm



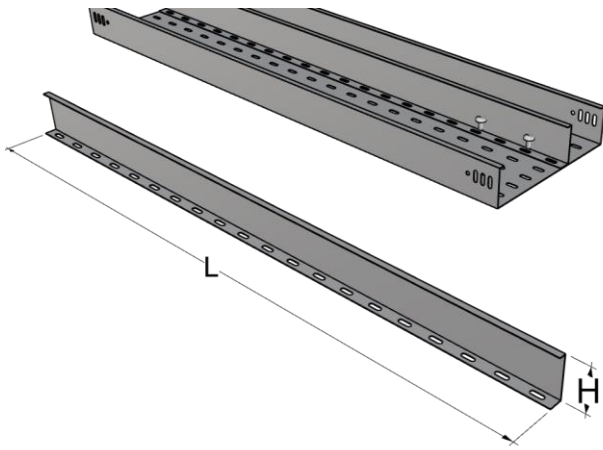
### Right Hand Reducer

Width (W1)	50~1000mm
Width (W2)	50~1000mm
Height (H)	25~300mm
Thickness (T)	0.6~2.5mm



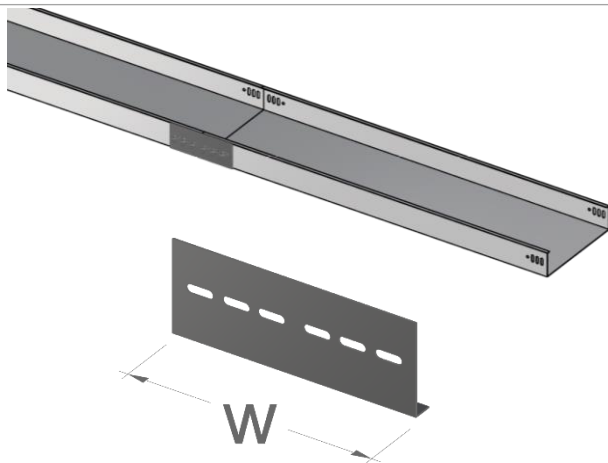
### Blind End

Width (W)	50~1000mm
Height (H)	25~300mm
Thickness (T)	0.6~2.5mm



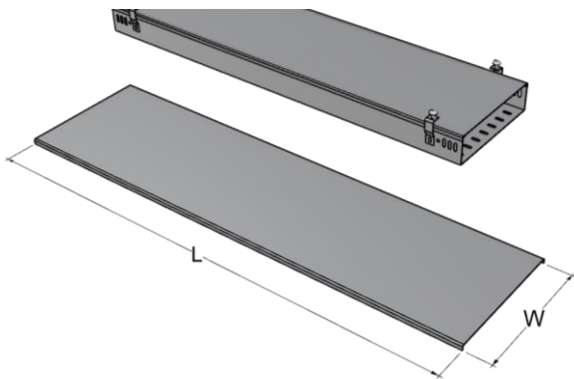
### D Divider

Width (W)	50~1000mm
Length (H)	2000~6000mm
Thickness (T)	0.6~2.5mm



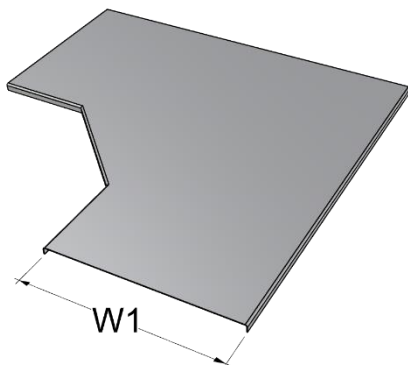
### Straight Coupler

Width (W)	50~1000mm
Length (L)	300~2500mm
Thickness (T)	0.6~2.5mm



### Flat Cover

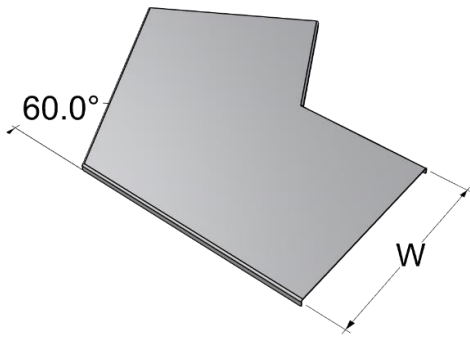
Width (W)	50~1000mm
Length (L)	2000~6000mm
Thickness (T)	0.6~2.5mm



### Elbow 90° Cover

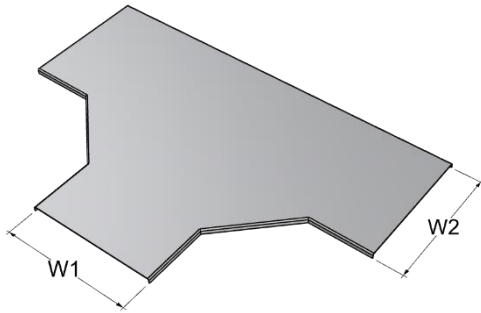
Width (W)	50~1000mm
Thickness (T)	0.6~2.5mm





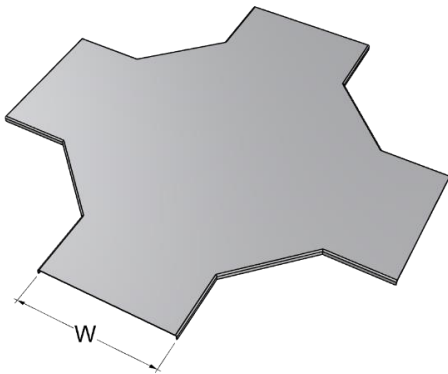
### Elbow 60° Cover

Width (W)	50~1000mm
Thickness (T)	0.6~2.5mm



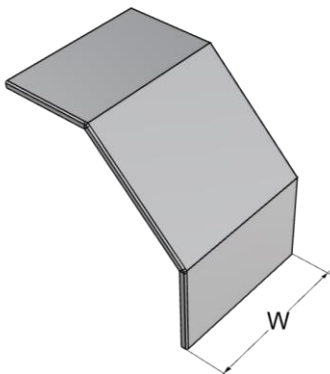
### Tee Cover

Width (W)	50~1000mm
Thickness (T)	0.6~2.5mm



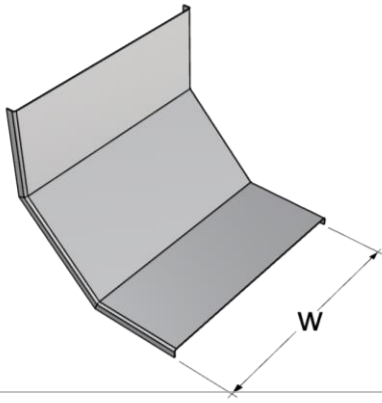
### Cross Cover

Width (W)	50~1000mm
Thickness (T)	0.6~2.5mm



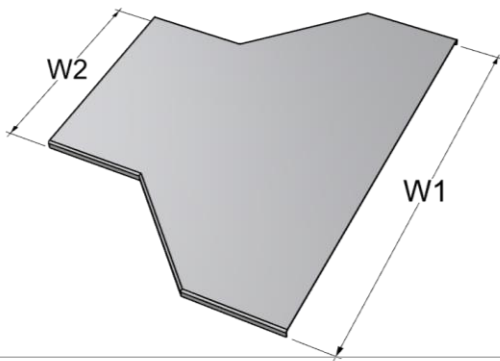
### Outside Riser Cover

Width (W)	50~1000mm
Thickness (T)	0.6~2.5mm



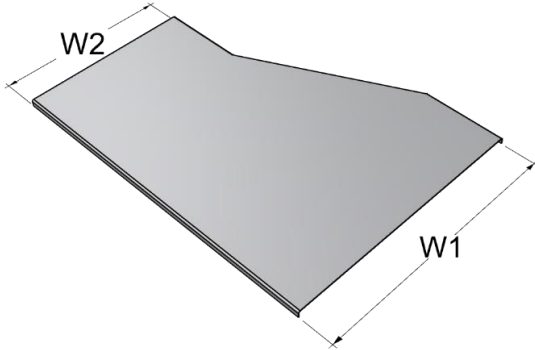
### Inside Riser Cover

Width (W)	50~1000mm
Thickness (T)	0.6~2.5mm



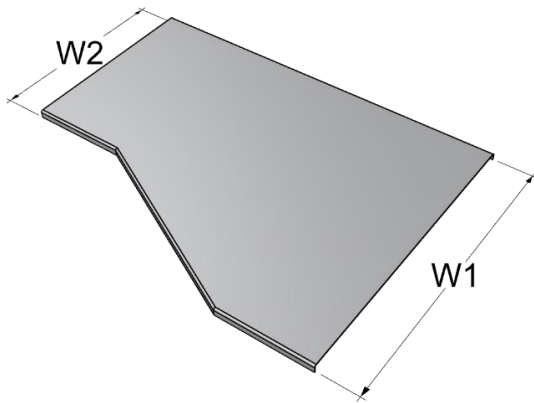
### Middle Reducer Cover

Width (W1)	50~1000mm
Width (W2)	50~1000mm
Thickness (T)	0.6~2.5mm



### Left Hand Reducer Cover

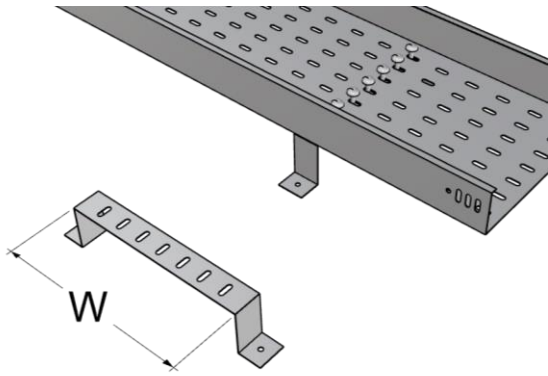
Width (W1)	50~1000mm
Width (W2)	50~1000mm
Thickness (T)	0.6~2.5mm



### Right Hand Reducer Cover

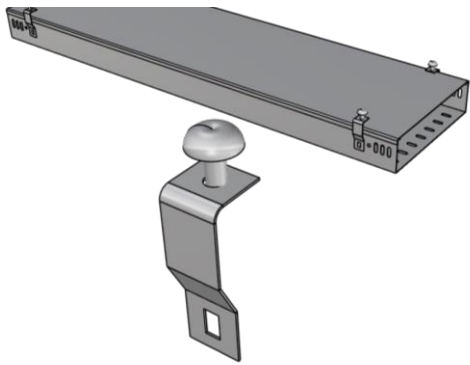
Width (W1)	50~1000mm
Width (W2)	50~1000mm
Thickness (T)	0.6~2.5mm





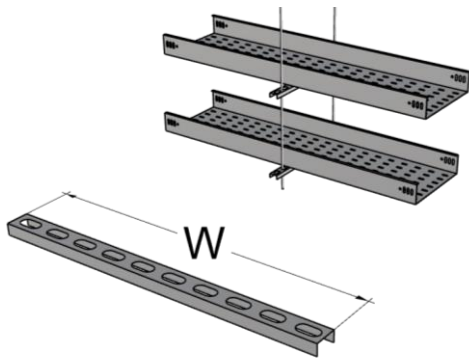
### Under Floor Stand

Width (W1)	50~1000mm
Width (W2)	50~1000mm
Thickness (T)	0.6~2.5mm



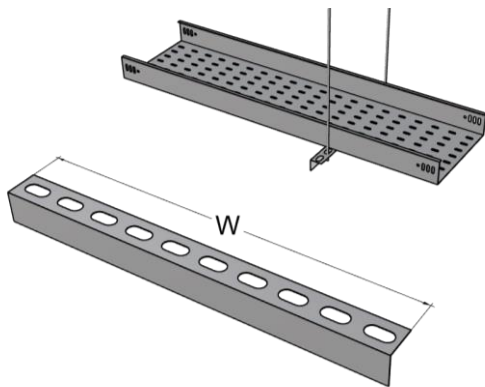
### Cover Clamp

Code	QK CC
------	-------



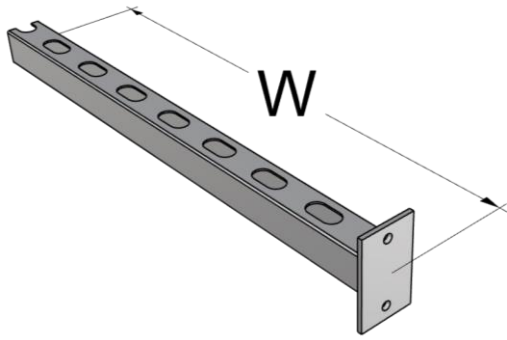
### Straight Bracket

Width (W1)	50~1000mm
Width (W2)	50~1000mm
Thickness (T)	0.6~2.5mm



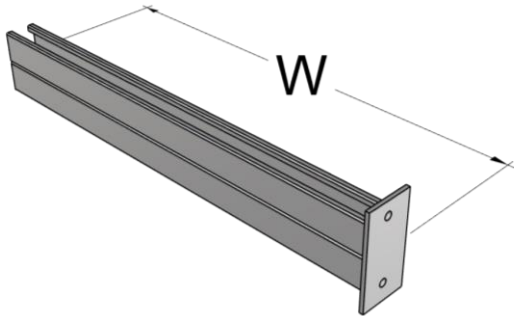
### Angle Bar Bracket

Width (W1)	50~1000mm
Width (W2)	50~1000mm
Thickness (T)	0.6~2.5mm



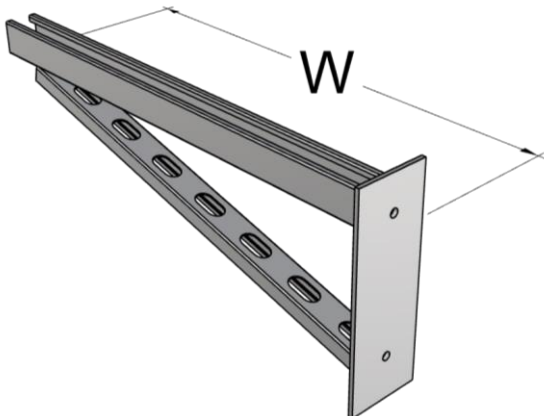
### Wall Bracket

Width (W1)	50~1000mm
Width (W2)	50~1000mm
Thickness (T)	0.6~2.5mm



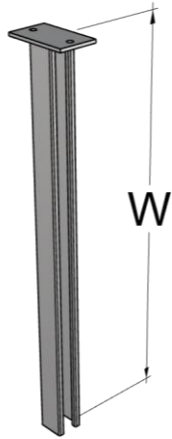
### Strengthening Bracket

Width (W1)	50~1000mm
Width (W2)	50~1000mm
Thickness (T)	1.5~2.5mm



### Strengthen Bracket

Width (W1)	50~1000mm
Width (W2)	50~1000mm
Thickness (T)	1.5~2.5mm



### Ceiling Bracket

Width (W1)	50~1000mm
Width (W2)	50~1000mm
Thickness (T)	1.5~2.5mm



### Strengthening Ceiling Bracket

Width (W1)	50~1000mm
Width (W2)	50~1000mm
Thickness (T)	1.5~2.5mm